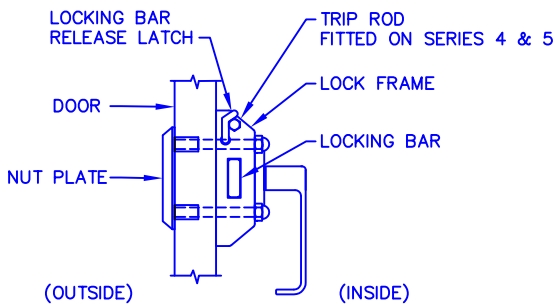
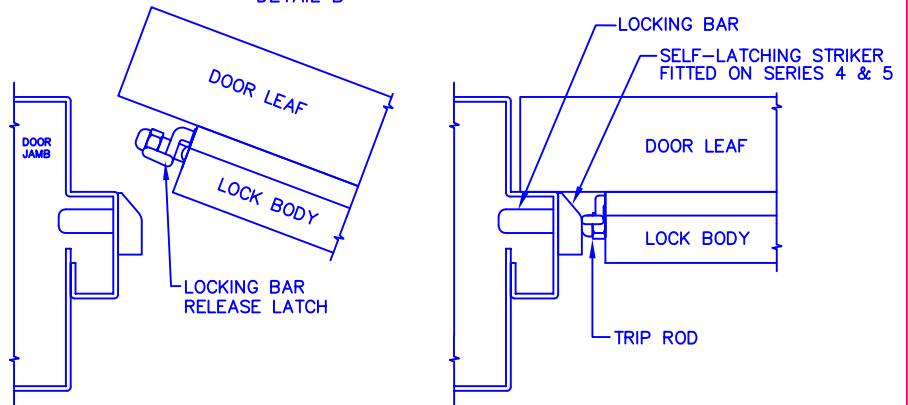


DETAIL A - END VIEW



HANDLE IN OPEN POSITION

DETAIL B



CLOSING

LOCKED POSITION